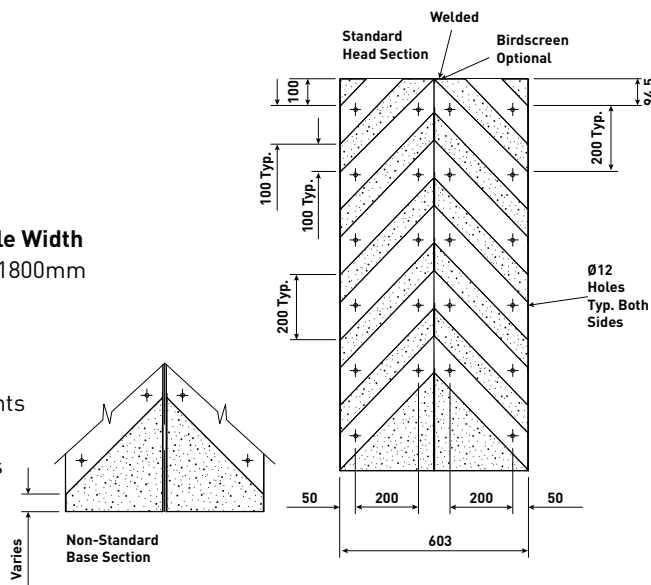


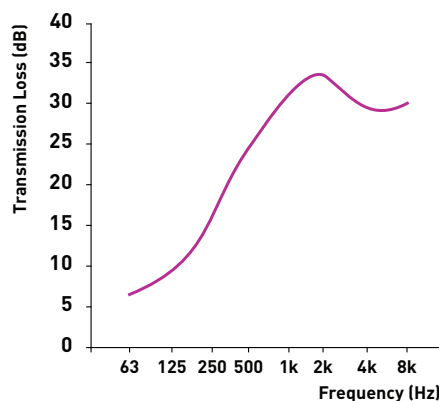
**Weight** 100kg/m<sup>2</sup>      **Module Width** 300 - 1800mm

**Standard Module Height**  
600mm minimum,  
(increasing increments  
of 200mm)  
Intermediate heights  
are available



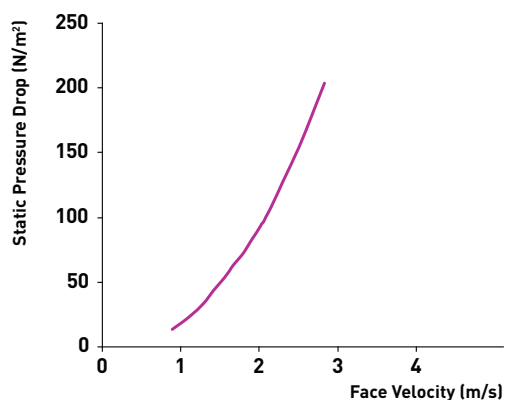
**Acoustic Performance**

<b>Octave Band Centre Frequency (Hz)</b>	63	125	250	500	1k	2k	4k	8k
<b>Transmission Loss (dB)</b>	7	9	12	24	31	33	29	30
<b>Acoustic Rating</b>	<b>R<sub>w</sub>26dB / D<sub>new</sub>31dB</b>							
<b>For noise reduction, add 6dB to the above values</b>								



**Aerodynamic Performance**

<b>Static Pressure Drop (N/m<sup>2</sup>)</b>	10	20	30	40	50	60	70	80	90	100
<b>Face Velocity (m/s)</b>	0.68	0.94	1.15	1.30	1.47	1.61	1.77	1.89	2.02	2.13
<b>Nominal Free Area</b>	45%*					* Average over louvre depth				
<b>Cd</b>	<b>0.161</b>									



Pressure Drop =  $\dot{m}/Cd$   
 $\dot{m}$  = mass flow  
 Cd = Discharge Coefficient

Errors and Omissions Excepted [E&OE].